

## TECHNICAL DATA

supported transfer mode - selectable

RS485 - half duplex  
RS422 - full duplex  
controlled RS422  
4-wire RS485  
460 kb/s  
1 200 m  
120 Ω  
1kV  
D-SUB 9 pin F  
screw  
plug 1.3mm  
or screw  
300W/1ms  
600W/1ms  
12V DC +-10%  
max 1W  
58 x 17 x 56 mm

max. transfer rate

max. recommended line length

selectable terminator

galvanic isolation

connector RS232c

connector RS485, RS422

connector power supply

overvoltage (soft) protection – RS485/RS422

overvoltage (soft) protection – supply

power supply

power consumption

dimensions



MINI serie

**MINI 2.5/485**

*isolated converter*

**RS232c ↔ RS485 | RS422**

## CONDITIONS OF WARRANTY

ComErgon Ltd. provides full warranty of 12 month for serial interface module MINI 2.5/485 starting on the day of purchase.

The warranty is except for the cases in which the functioning of the module has been affected by faulty manipulation, natural catastrophes or other external factors.



tel.: +421-2-4445 8783  
tel./ fax.: +421-2-4425 9006

Pionierska 15, 831 02 Bratislava  
Slovak Republic

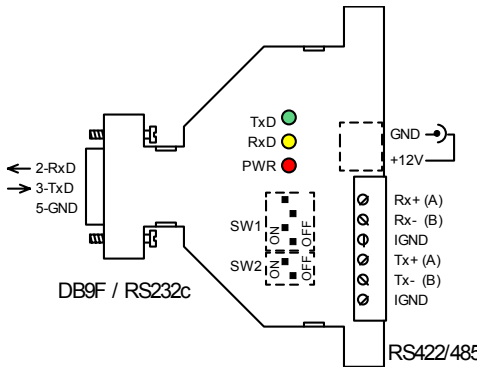
e-mail: [service@comergon.sk](mailto:service@comergon.sk)  
http: [www.comergon.sk](http://www.comergon.sk)



**LAYOUT OF SWITCH AND CONNECTORS**

RS232 side

RS485/RS422 side



**STANDARD SETTING**

transmitter control RS485  
 receiver control RS485  
 terminator

by signal TxD  
 inverse to transmitter control  
 120 Ω + pull up, down

**OPTICAL INDICATION**

**PWR** - red LED  
**RxD** - yellow LED  
**TxD** - green LED

power supply  
 receive data  
 transmit data

**SW2 – MODE OF TRANSFER**

SW2 – 1 ON, 2 ON  
 SW2 – 1 OFF, 2 OFF

RS485 (A, B)  
 RS422 (Tx+, Tx-, Rx+, Rx-)

**SW1 – SELECTION OF OPERATING MODES**

| SW1                                | TRANSMITTER | RECEIVER CONTROL      |
|------------------------------------|-------------|-----------------------|
| 1 - ON                             | TxD         | inverse to TxD        |
| 1 - OFF                            | TxD         | permanent             |
| <b>SW1 – TERMINATOR, HOLD LINE</b> |             |                       |
| 2                                  | ON          | terminator 120 Ω      |
| 3                                  | ON          | hold line – pull up   |
| 4                                  | ON          | hold line – pull down |

**RS485/RS422 LINE CONFIGURATION – SW1, SW2**

